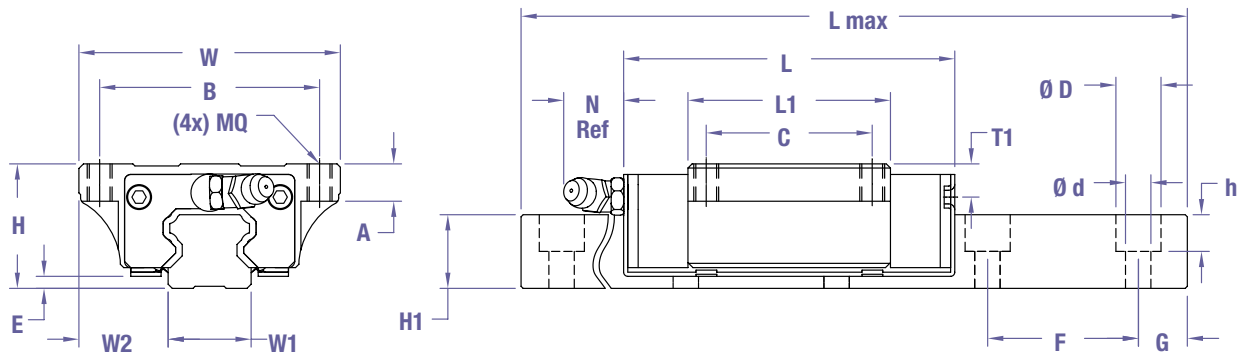


# Application

## Data Sheet

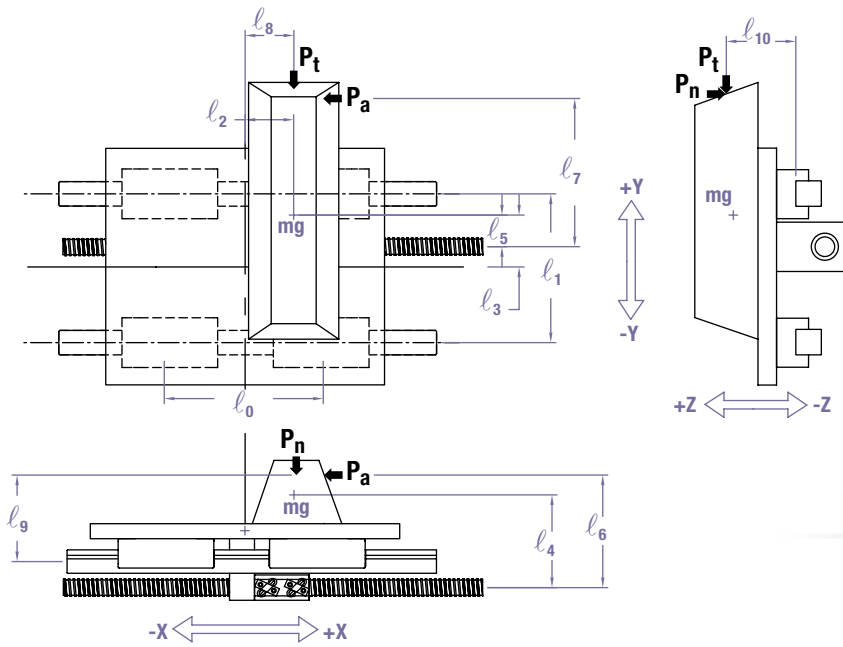
Date	Project Name		Submitted By		
Customer	Contact Name		email		
Telephone	Cell		Fax		
<b>Instructions:</b> 1) Don't panic. 2) Provide as much information as you can. 3) If incomplete — No Problem send it in and we'll help!					
CURRENT SUPPLIER		PART #	QTY	TARGET \$\$	SUGGESTED RLM#
<b>INTERCHANGE DIMENSIONS</b>					
Rail Mounting to Block Mounting Surface (H)		Mounting Bolt Pattern/Size (BxC/mm)			
Block Overall Width (W)		Static Load (C <sub>0</sub> )			
Block Overall Length (L)		Dynamic Load (C)			
Block Body Length (L <sub>1</sub> )					



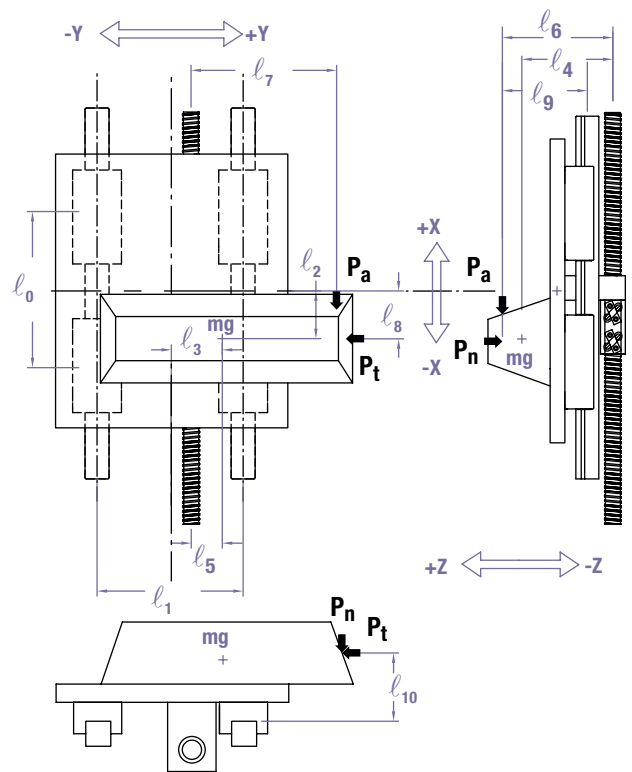
DIMENSIONS/LOADS/FORCES (Please circle units)					
Orientation (circle one)	Horizontal Orientation	Vertical Orientation	Wall Mount Orientation		
Space Between Block Center on the Same Rail ( $\ell_0$ )		mm in.	External Force Normal ( $P_n$ )		N lbf
Space Between Rail Centerlines ( $\ell_1$ )		mm in.	External Force Axial ( $P_a$ )		N lbf
Load to Center of Blocks ( $\ell_2$ )		mm in.	External Force Transverse ( $P_t$ )		N lbf
Load (mg)		kg lb	Height of ( $P_a$ ) to Drive ( $\ell_6$ )		mm in.
Load to Center of Rails ( $\ell_3$ )		mm in.	Width of ( $P_a$ ) to Drive ( $\ell_7$ )		mm in.
Weight (mg) to Top of Rail (Wall Mount Only) ( $\ell_3$ )		mm in.	External Forces $P_n$ and $P_t$ to Center of Blocks ( $\ell_8$ )		mm in.
Height of mg to Drive ( $\ell_4$ )		mm in.	Distance of $P_n$ to Center of Rail ( $\ell_9$ )		mm in.
Width of mg to Drive ( $\ell_5$ )		mm in.	Distance of $P_t$ to Top of Rail ( $\ell_{10}$ )		mm in.
MOTION PROFILE			REQUIRED LIFE (Please circle units)		
How Far (Stroke)		How Often (Cycles per Minute)	Distance		km ft.
How Fast (Speed)		Acceleration/Deceleration	Time		Cycles Years
OPERATING ENVIRONMENT					
Contamination Type			Vibration		
Shock Loads			Other		



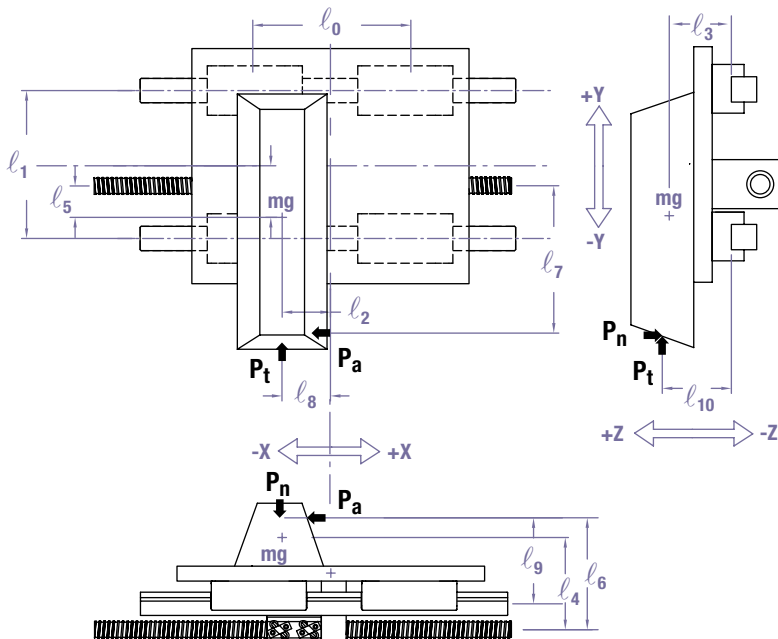
### Horizontal Orientation



### Vertical Orientation



### Wall Mount Orientation



**Note:** If a dimension or force direction is opposite from the above drawings, please indicate the value with a negative (-) sign