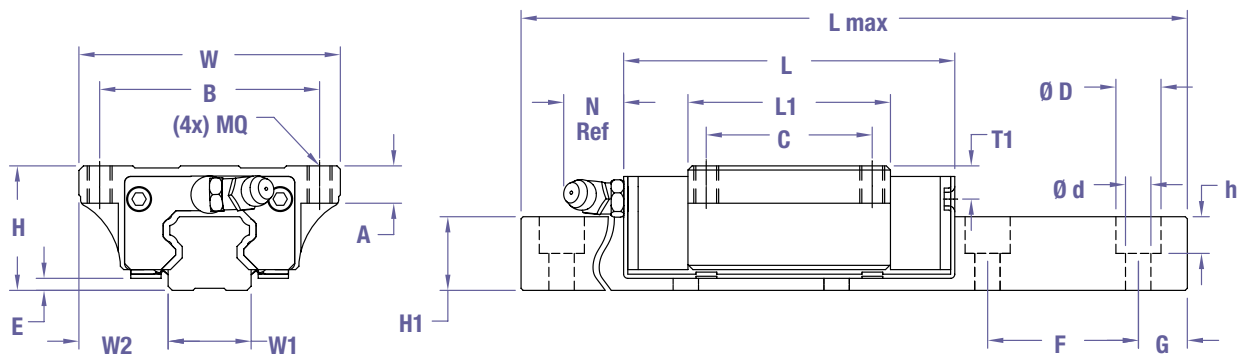


Application

Data Sheet

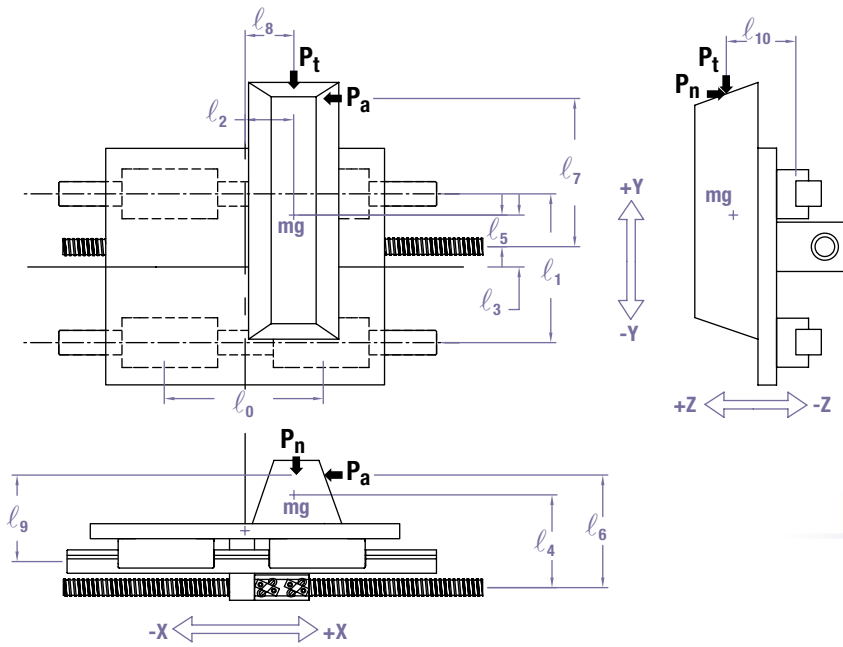
Date	Project Name		Submitted By		
Customer	Contact Name		email		
Telephone	Cell		Fax		
Instructions: 1) Don't panic. 2) Provide as much information as you can. 3) If incomplete — No Problem send it in and we'll help!					
CURRENT SUPPLIER		PART #	QTY	TARGET \$\$	SUGGESTED RLM#
INTERCHANGE DIMENSIONS					
Rail Mounting to Block Mounting Surface (H)		Mounting Bolt Pattern/Size (BxC/mm)			
Block Overall Width (W)		Static Load (C ₀)			
Block Overall Length (L)		Dynamic Load (C)			
Block Body Length (L ₁)					



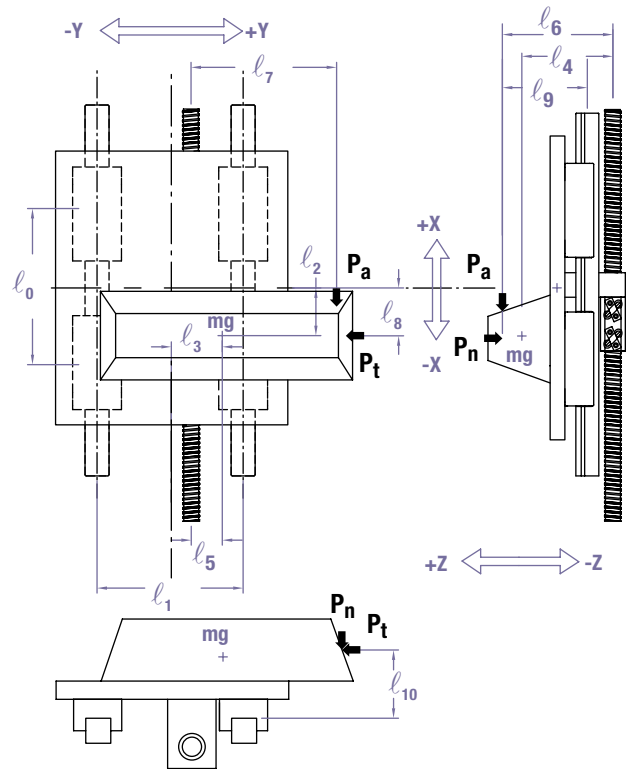
DIMENSIONS/LOADS/FORCES (Please circle units)					
Orientation (circle one)	Horizontal Orientation	Vertical Orientation	Wall Mount Orientation		
Space Between Block Center on the Same Rail (ℓ_0)		mm in.	External Force Normal (P_n)		N lbf
Space Between Rail Centerlines (ℓ_1)		mm in.	External Force Axial (P_a)		N lbf
Load to Center of Blocks (ℓ_2)		mm in.	External Force Transverse (P_t)		N lbf
Load (mg)		kg lb	Height of (P_a) to Drive (ℓ_6)		mm in.
Load to Center of Rails (ℓ_3)		mm in.	Width of (P_a) to Drive (ℓ_7)		mm in.
Weight (mg) to Top of Rail (Wall Mount Only) (ℓ_3)		mm in.	External Forces P_n and P_t to Center of Blocks (ℓ_8)		mm in.
Height of mg to Drive (ℓ_4)		mm in.	Distance of P_n to Center of Rail (ℓ_9)		mm in.
Width of mg to Drive (ℓ_5)		mm in.	Distance of P_t to Top of Rail (ℓ_{10})		mm in.
MOTION PROFILE			REQUIRED LIFE (Please circle units)		
How Far (Stroke)		How Often (Cycles per Minute)	Distance		km ft.
How Fast (Speed)		Acceleration/Deceleration	Time		Cycles Years
OPERATING ENVIRONMENT					
Contamination Type			Vibration		
Shock Loads			Other		



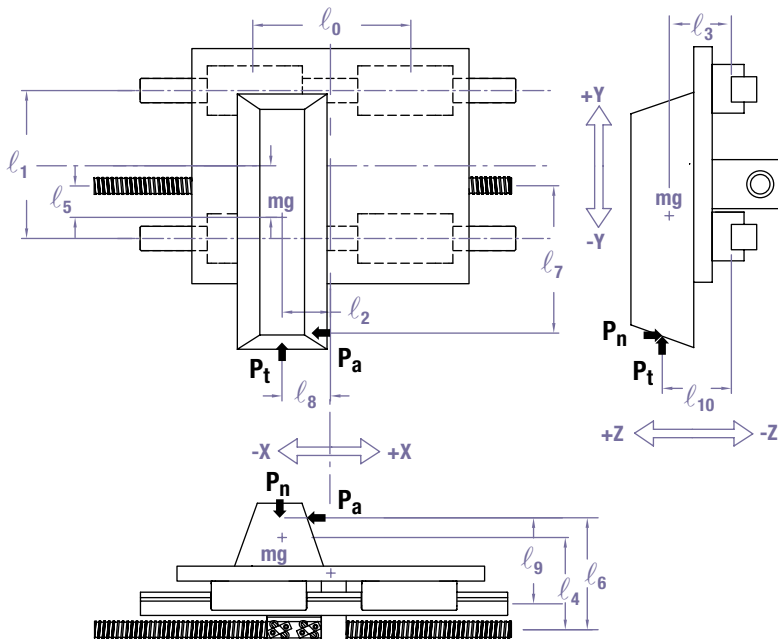
Horizontal Orientation



Vertical Orientation



Wall Mount Orientation



Note: If a dimension or force direction is opposite from the above drawings, please indicate the value with a negative (-) sign